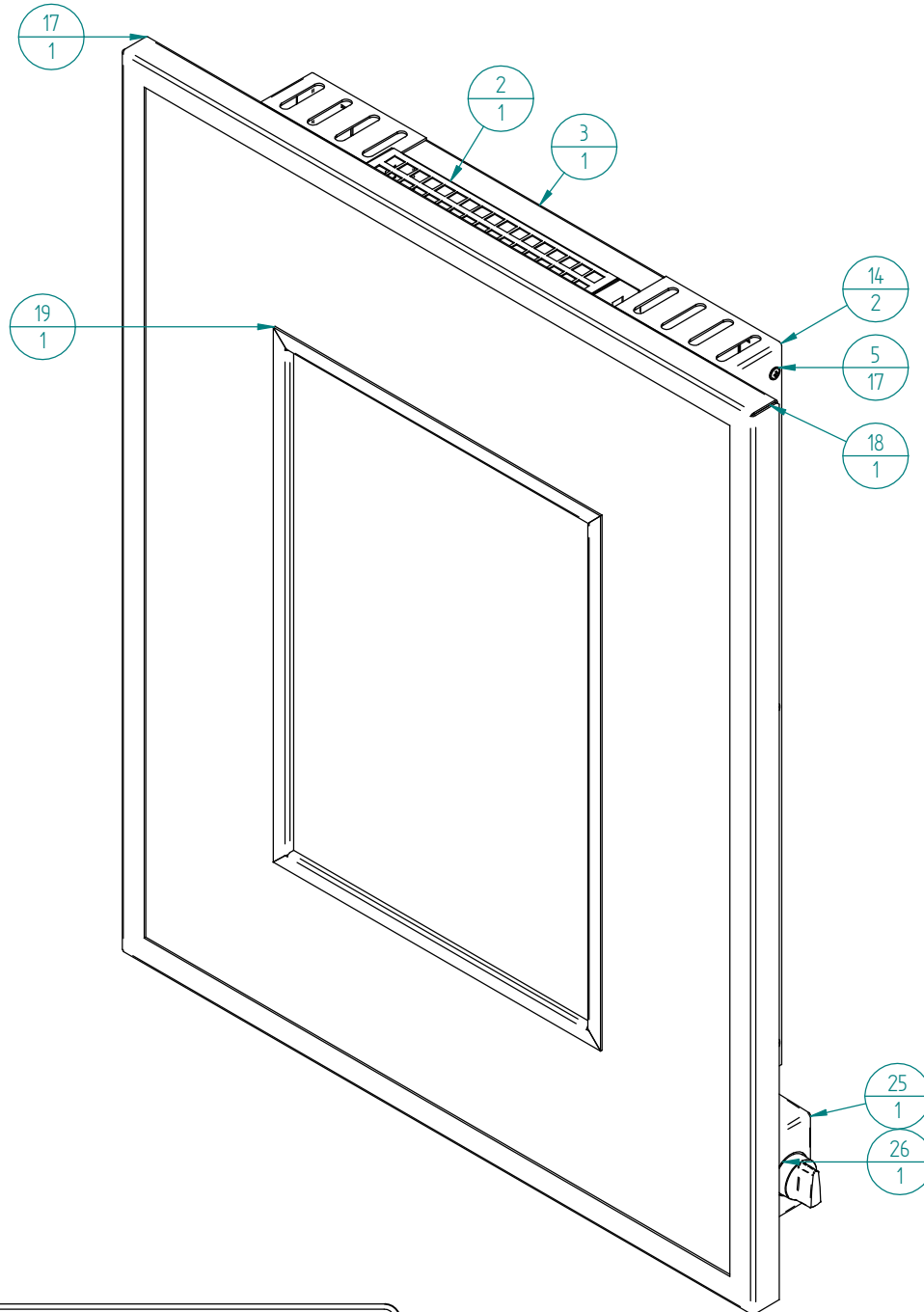


PART NUMBER : EWF			REVISION LEVEL :
Amendment	Date	By	
			Tolerances Unless Specified
			Linear Dimensions ± 0.5 mm
			Angles ± 1°



Item Number	Document Number	Title	Material	Quantity
1*	EWFAC004	EWF F/B ASSEMBLY		1
2	EWF00004	EWF GRILL	Zintec 0.8mm	1
3	EWF00012	EWF BACK PANEL	Zintec 1.0 mm	1
4*	EWF00741	EWF CATALYTIC CONVERTER BAFFLE	CERAMIC	1
5	F-8GX3_8-S-MS-PO-BLK	8G X 3/8 SCREW MUSH POZI BLK	Purchased	17
6*	F-M5-HN-ZP	HEX NUT M5 ZP	Purchased	16
7*	EWF00116	EWF BAFFLE SUPPORTS	Cold Roll 1.6mm	2
8*	EWF00119	EWF BRICK 'L' CLIP	Zintec 1 mm	2
9*	EWF00118	EWF BRICK RETAINER CLIPS	Zintec 1.0 mm	2
10*	FSFLATWSHR5MM	FLAT WASHER 5 MM	Purchased	4
12*	F-M5-10-PH-POS-BK	F-M5-10-PH-POS-BK	Purchased	8
13*	EWF00135	EWF F/B AIRHOLE COVER	Cold Roll 1.6mm	1
14	EWF00006	EWF SIDE PANEL	Cold Roll 1.6mm	2
15*	F-M5-16-PH-POS-BK	F-M5-16-PH-POS-BK	Purchased	6
16*	EWFAC034	EWF GLASS RETAINER ASSY		1
17	EWF00008	EWF FASCIA TRIM	Cold Roll 1.6mm	1
18	EWFAC016	EWF FASCIA PANEL ASSY		1
19	EWFAC490	EWF FASCIA TRIM INTERNAL ASSEMBLY		1
21*	F-M5X16-CS	M5 X 16 COUNTER SINK	Purchased	2
22*	EWF00754	EWF SERIAL NUMBER PLATE	Cold Roll 0.6mm	1
23*	EWF00025	EWF BASE PLATE	Cold Roll 1.6mm	1
24*	EWF00081	EWF CONTROL PANEL BRACKET	Cold Roll 1.6mm	1
25	EWFAC356	GAS CONNECTION AND VALVE ASSEMBLY		1
26	EWF00087	EWF BURNER SUPPORT BRACKET	Cold Roll 1.6mm	1
27*	EWF00354	EWF BRICK	BRICK	1

PART NUMBER : EWFASSY

REVISION LEVEL :

Amendment	Date	By

Tolerances Unless Specified		
Decimal Places	0	+/- 0.5
	0.0	+/- 0.1
	0.00	+/- 0.05

